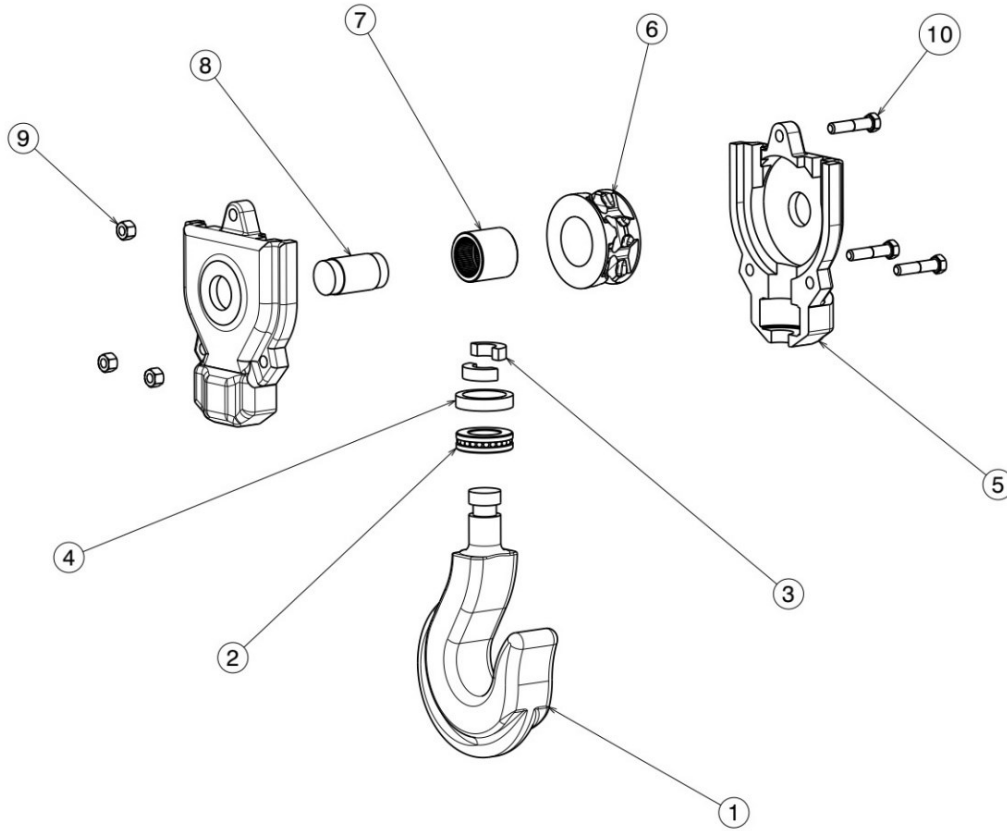


Chain crane hook

قلاب بالابر زنجیری



Item No.	Part No.	Designation	Quantity	Material	Standard
1		Hook	1	Forge	
2	STANDARD	Thrust ball bearing code : 51207	1		DIN 711
3		Cut bush	2	St 37	
4		Bush	1	St 37	
5		Hook shell	2	GGG	
6		Hook chain wheel	1	GGG	
7	STANDARD	Needle roller bearing 4006	1		ISO 1206 – DIN 617
8		Shaft	1	St 37	
9	STANDARD	Nut M12	3	8.8	ISO 4016
10	STANDARD	Bolt M12 × 55 mm	3	8.8	ISO 4016